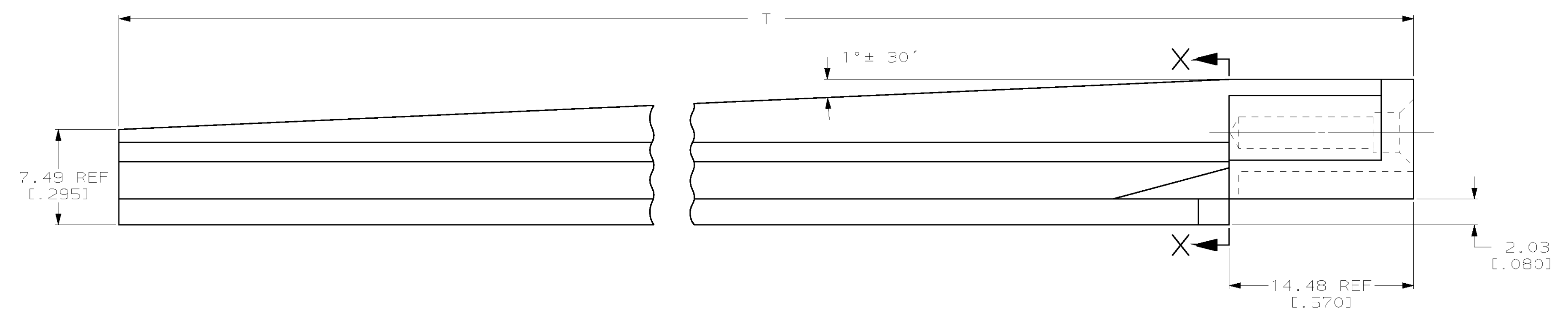
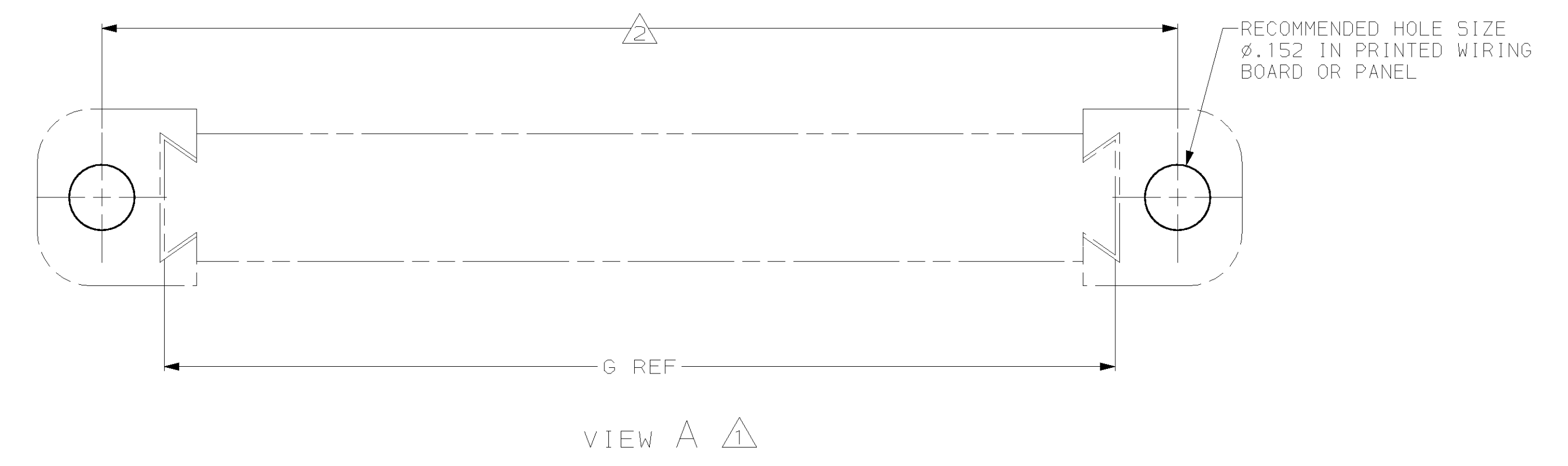
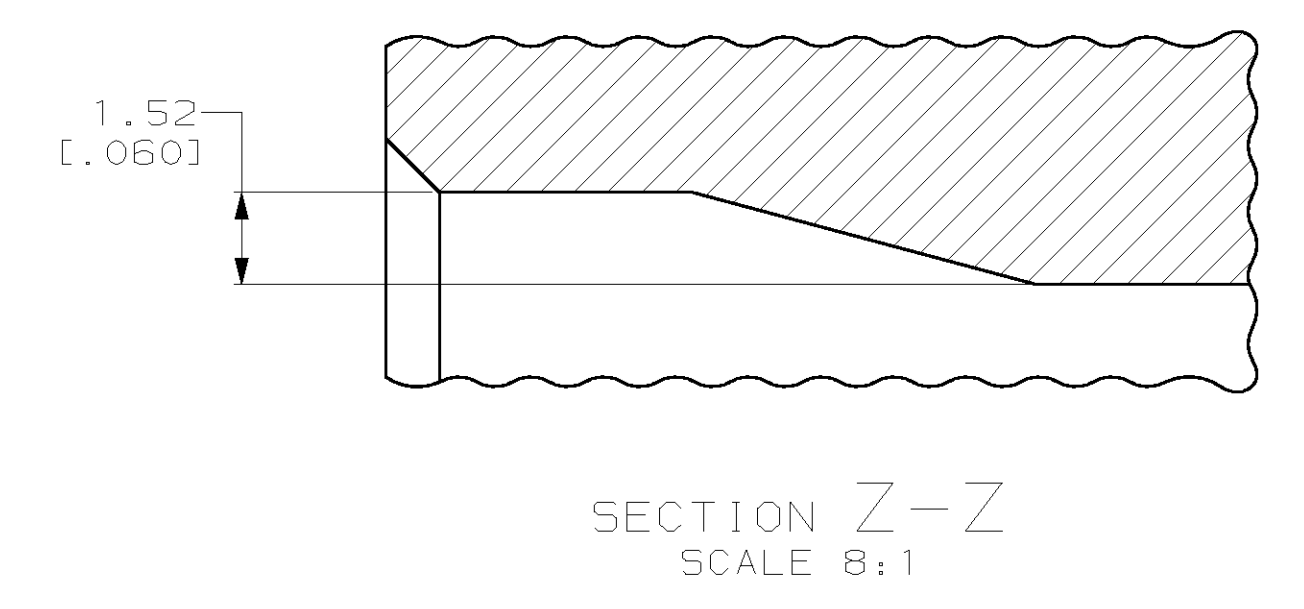
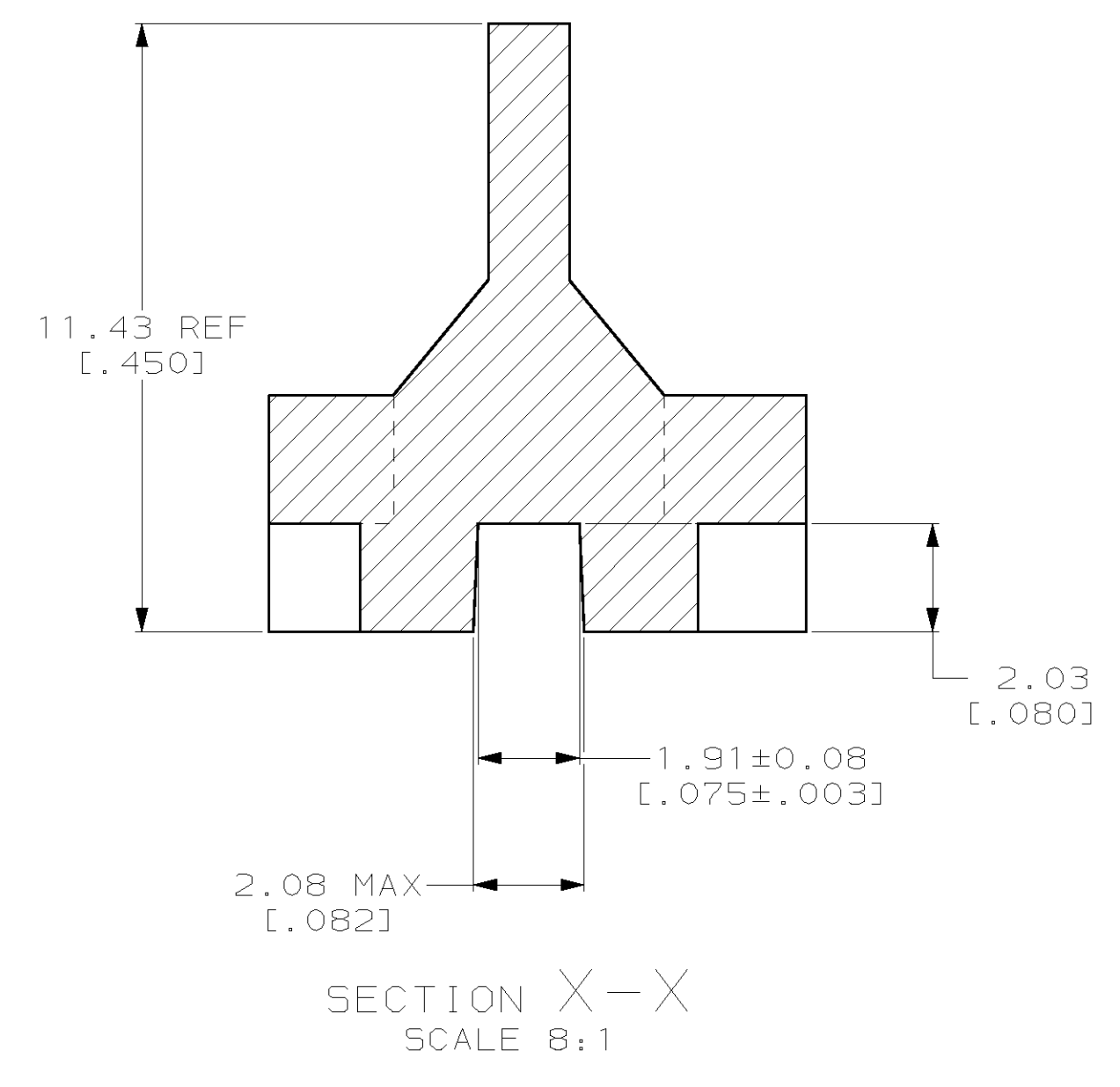
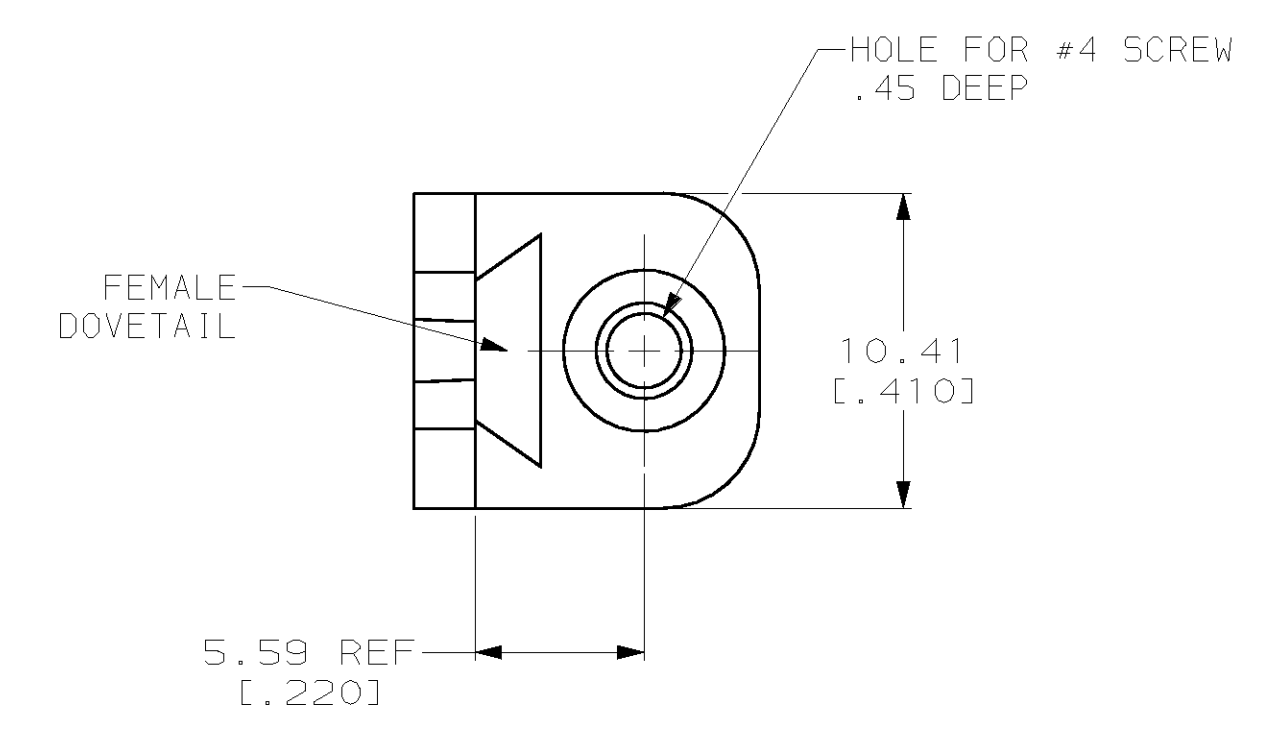
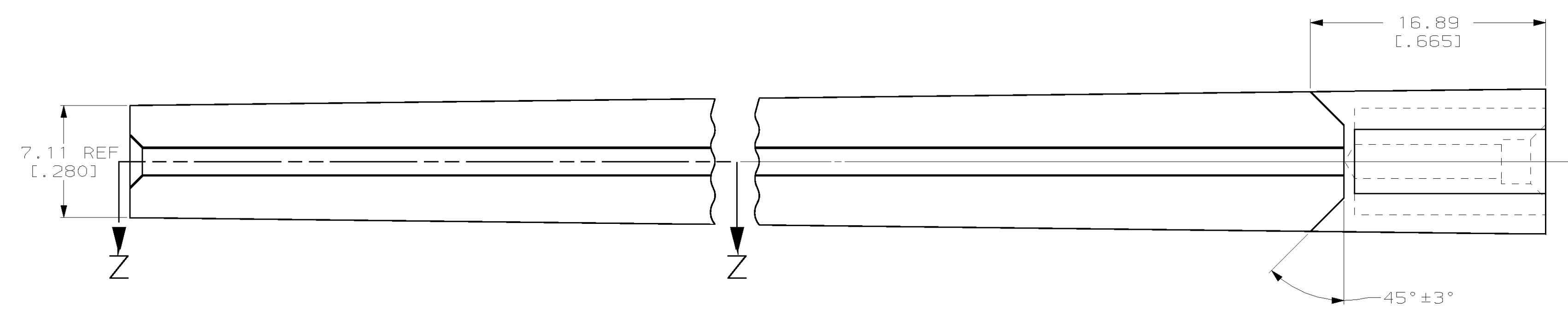


LOC	DIST	REV	DESCRIPTION	DATE	OWN	APPROV
AD	14					
		G	REV PER 0651-0064-99	09JUL99	BH	KS



⚠ SEE VIEW A FOR TYPICAL MOUNTING DIMENSIONS WHEN USED WITH ECONOMATE I HOUSINGS 117296, 117796, 117797 & 117798.
 ⚠ TAKE G DIMENSION FROM 116405, 106406 OR 116407, SUBTRACT 3.30 [.130]. THEN ADD 11.18 [.440] FOR HOLE SPACING.



	152.40 [6.000]	1-117169-3
OBSOLETE	18.29 [.720]	1-117169-2
OBSOLETE	101.60 [4.000]	117169-6
	53.50 [2.500]	117169-3
	T	PART NUMBER

THIS DRAWING IS A CONTROLLED DOCUMENT.

DIMENSIONS: mm (INCHES)	TOLERANCES UNLESS OTHERWISE SPECIFIED:	DWN: T. SHUEY 1-7-97	AMP Incorporated Harrisburg, PA 17105-3608
0 PLC ±	1 PLC ±	CHK: H. ROSE 1-31-97	
1 PLC ±	2 PLC ±	APPROV: H. ROSE 1-31-97	
2 PLC ±	3 PLC ±0.20 [.008]	NAME: H. ROSE	
3 PLC ±	4 PLC ±	PRODUCT SPEC:	GUIDE, CARD, ECONOMATE I
4 PLC ±	ANGLES	APPLICATION SPEC:	
MATERIAL: VALOX 420-SE0 COLOR-BLACK	FINISH:	SIZE: A1	CAGE CODE: 00779
		DRAWING NO: C-117169	SCALE: 4:1
		WEIGHT: -	SHEET 1 OF 1
		CUSTOMER DRAWING	REV G